

CONTROLS

LED Modulating Amplifier T325 Series

Features:

- Ambient light immunity
- Selectable modulation frequencies
- Open collector output
- Output indicator LED
- 15 turn sensitivity adjustment
- Available in LIGHT or DARK energize models



Description:

These controls provide ambient light immunity in a small, convenient DC-powered package. Each control modulates the LED light source of a reflective skanner or thru-beam pair and responds

only to photodetector signals with the same modulation frequency. The user may select either of two modulating frequencies to eliminate crosstalk between closely spaced sensors.

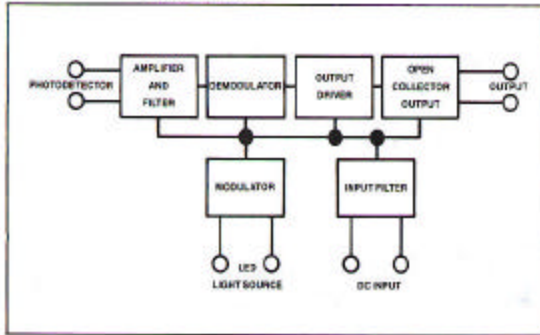
Specifications: (at 25°C)

POWER INPUT	5 VDC \pm 5%, 125 mA
LED POWER	Supplied by unit. Internal resistor included for 100 mA LED
SENSOR VOLTAGE	5 VDC at 1 mA max.
OUTPUT	
Open Collector	NPN transistor to switch up to 30 VDC at 100 mA max.

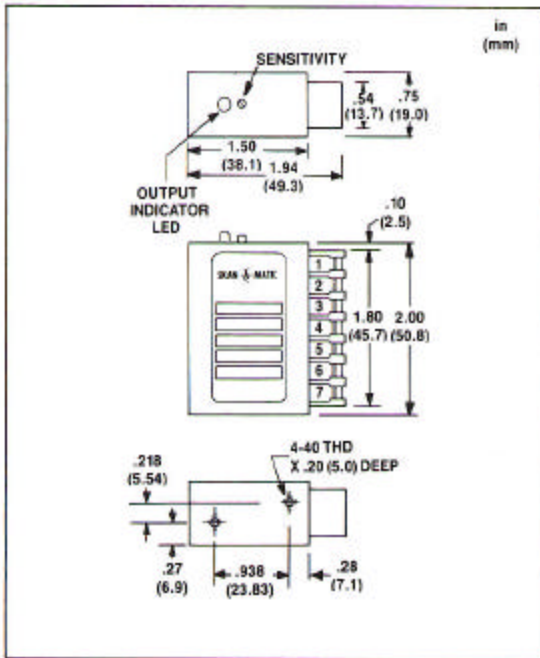
RESPONSE TIME	5 milliseconds typ. Counting rate 100 cps.
SENSITIVITY ADJUSTMENT	15 turn
TEMPERATURE	Operating: 0° to 50°C Storage: -40° to 70°C
ENCLOSURE	Screw mounted black plastic module with 7 screw terminals.

T325 Series

Block Diagram:



Dimensions:



Compatibility With Sensors:

A T325 Series control can operate any LED thru-beam pair or scanner. A 100 mA LED can be wired directly across terminals 3 and 4. Others require an external 1/4W resistor between the blue (+) lead and terminal 3. For a 60 mA LED use a 6.8 ohm resistor; for a 40 mA LED use a 27 ohm resistor. A 6.8 ohm and 27 ohm resistor are included with each control. These controls should not be used to operate an incandescent lamp device.

Model Selection Guide:

Part #	Description
T32501	DARK Energize
T32521	LIGHT Energize

Accessories:

RELAYS

The T325 Series control may be used to drive an external relay or solid state relay. The following are available:

R02003 Solid State Relay rated 2.0 amps at 20–140VAC. Life is 10 million operations at rated load.

R00030 DPDT Relay rated 5 amps at 115VAC or 28 VDC resistive load. Life is 100,000 operations at rated load.

R00031 DPDT Relay rated 10 amps at 115VAC or 28VDC resistive load. Life is 25,000 operations at rated load.

All are 8 pin, plug-in modules. Sockets are not included.

SOCKET

Available — see *Accessories & Options*, pg. 127.

Wiring Diagram:

