

SELF-CONTAINED PHOTOELECTRIC CONTROLS

Amplified Coaxial C32 Series SKAMP®

Features:

- Optimum Distance to Target: .10"
- Maximum Usable Distance: 3"
- Field of View: 0.1"
- Smallest Detectable Object: .04"
- Scanner/amplifier in one package
- Open collector output
- Coaxial optical system
- Lamp or LED light sources
- 5 VDC or 8-25 VDC models
- Light or Dark energize models

Description:

The C32 Series SKAMP® is a self-contained photoelectric scanner/amplifier designed to provide sensing and control capability from a single convenient point. It combines the fiber optic construction of the SKAN-COAX® scanner with an adjustable sensitivity, hybrid amplifier in a compact integral package.

The C32 Series is available with either an incandescent or LED light source in models wired for light energized or dark energized operation. Its internal amplifier has a sensitivity control and LED output indicator to allow adjustment without additional equipment. The amplifier has a fixed amount of hysteresis and provides an



open collector output, which is compatible with most programmable controllers and microprocessors.

When light is reflected to the sensor of the light energized models, the LED output indicator is activated and the output transistor conducts, pulling the output to ground potential. In dark energized models, the absence of reflection causes the output to energize.

Models are available for input voltages of 5 VDC or any voltage between 8 and 25 VDC.

Typical Applications:

- Direct wiring to counters
- Tachometer pickup
- Registration mark detection
- Synchronization

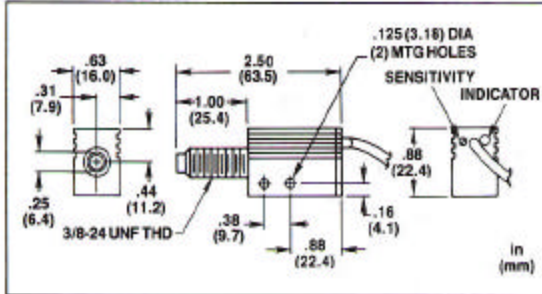
Specifications: (at 25°C)

POWER INPUT	+5 VDC $\pm 5\%$, 185 mA max. or 8-25 VDC at 60 mA max.
OUTPUT	Open collector NPN transistor to switch up to 30 VDC at 100 mA max.
SENSITIVITY ADJUSTMENT	15 turn
RESPONSE TIME	500 μ s typical
BODY	Black anodized aluminum

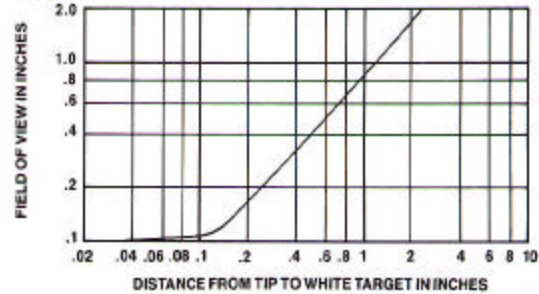
SPECTRAL RESPONSE	910 nm peak; filtered to respond to less than 5% at 750 nm and less than 0.1% at 700 nm
TEMPERATURE	Operating: 0° to 50°C Storage: -40° to 50°C
LEADS	3 cond. 28 ga., teflon covered cable with shield, 6 ft. long, Type N

C32 Series

Dimensions:



Typical Performance Chart:



Model Selection Guide:

Model	Operating Mode	Light Source	Input Voltage
C32211	Light	Lamp	5 VDC
C32221	Dark	Lamp	5 VDC
C32214	Light	LED	5 VDC
C32224	Dark	LED	5 VDC
C32414	Light	LED	8 to 25 VDC
C32424	Dark	LED	8 to 25 VDC

Variations:

LEADS

Extra lead lengths available. Use Type N — see pg. 129.

Options:

COIL CORD

Four conductor, 28 gauge, coil cord with shield available in 10 ft. (fully extended) or 20 ft. (fully extended) lengths — see pg. 129.

CONNECTOR

The C32 Series skanners are available with connector installed. The mating half is furnished for field connection. Order by adding a suffix as follows:

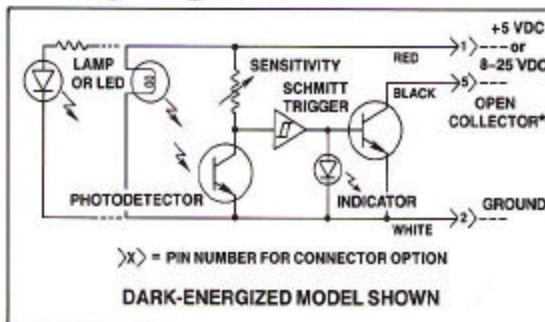
- P For connector pair with in-line receptacle. Example: C32211-P
- F For connector pair with flanged, panel-mount receptacle. Example: C32211-F

See Options for a more detailed description.

ADJUSTABLE FOCUS OPTICAL MAGNIFIER B05003

A lens system accessory for use with lamp light sources. See Accessories for more detailed information.

Wiring Diagram:



*See Technical Information for output connections