

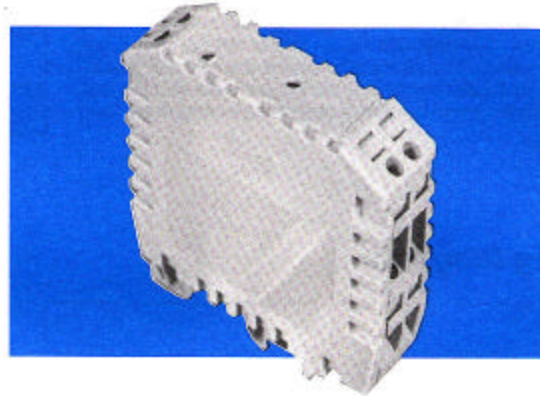
CONTROLS

IRED/LED Modulating Amplifier

T60 Series

Features:

- Ambient light immunity
- PNP and NPN open-collector outputs
- Output indicator LED
- 25 turn sensitivity adjustment
- User-selectable LIGHT or DARK energize
- Mounts on either NS32 or NS35 DIN rails



Description:

These controls provide ambient light immunity in a small, DIN Rail mountable, DC-powered package. Each control modulates the LED or IRED radiation source of a reflective scanner or thru-beam pair and responds only to photodetector inputs

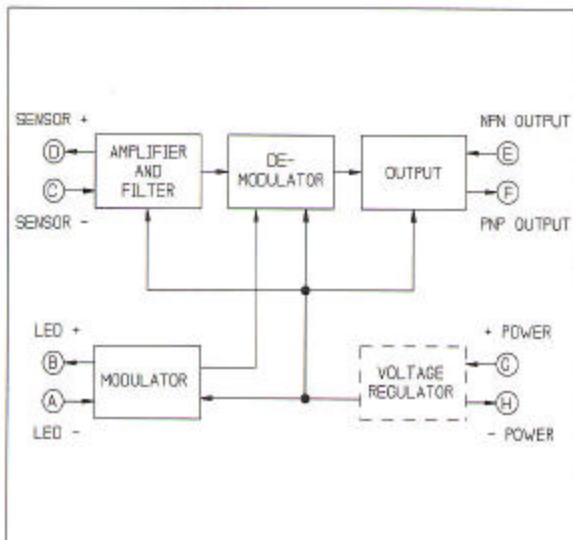
with the same modulation frequency. The user may connect either or both (PNP and NPN) open-collector outputs as required by subsequent electronic circuitry.

Specifications: (at 25° C)

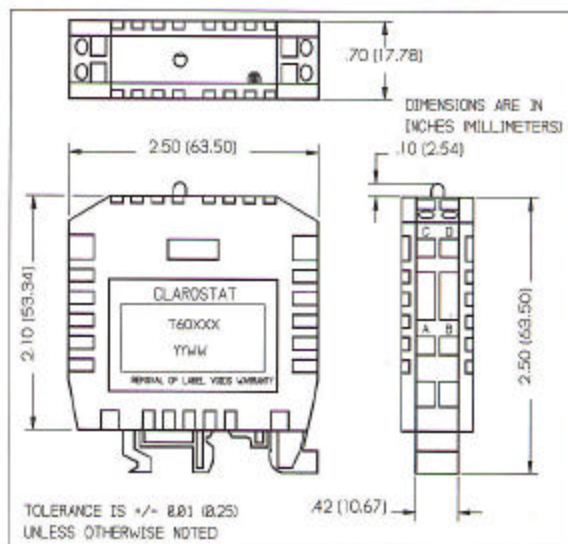
POWER INPUT: 5 VDC or 8-28 VDC, 175 mA peak
IRED/LED:
POWER: Supplied by unit; internal resistor included for 100 mA source
SENSOR VOLTAGE: 5 VDC at 5 mA max.
OUTPUT: Open-collector NPN and PNP transistors [$V_{(BR)CEO} \geq 30V$], both rated for 100 mA at $V_{CE(sat)}$.

RESPONSE TIME: 5 milliseconds typical; counting rate: 100 cps
SENSITIVITY ADJUSTMENT: 25 turns nominal
TEMPERATURE: Operating: 0°C to 50°C
 Storage: -40°C to 50°C
ENCLOSURE: NS32 or NS35 DIN Rail mountable plastic enclosure

Block Diagram:



Dimensions:



Compatibility With Sensors:

T60 Series controls can operate any LED or IRED thru-beam pair or scanner. A 100 mA rated emitter can be wired directly across terminals A and B. Infrared or light emitters with current ratings less than 100 mA require an external 0.25 watt resistor between the blue lead and terminal B. For an emitter rated at 60 mA, use a 6.8 ohm resistor; for a 40 mA rated device, use a 27 ohm resistor. A 6.8 ohm and a 27 ohm resistor are included with each control. *These controls cannot be used to operate an incandescent lamp device.*

Model Selection Guide:

Part Number	Description
T60001	5 VDC POWER INPUT
T60002	8-28 VDC POWER INPUT

Wiring Diagram:

