

CONTROLS

Control for Pre-amplified Skanners T44000

Features:

- Open collector output
- Plug-in
- Output indicator LED
- 15 turn sensitivity adjustment
- May be wired LIGHT or DARK energize



Description:

The T44000 is a complete control designed for use with the S56 Series High Speed NANO-SKAN® with preamplifier. It cannot be used with standard skanners, without a preamp, which provide a current output. Each control provides light source power, amplifies the scanner's output signal and functions as an output switch.

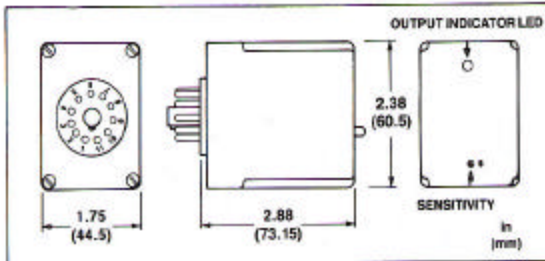
Only 115VAC input is required. A self contained, regulated power supply converts this power into both plus and minus 5VDC, which are required to operate the preamplifier in the scanner. The control includes an open collector transistor output, an external sensitivity adjustment and a red output indicator LED. If a relay or triac output is required, see Accessories.

Specifications: (at 25°C)

POWER INPUT	115VAC $\pm 10\%$, 50-500Hz, 2VA	SENSITIVITY ADJUSTMENT	15 turn adjustable between .02 and 2.0V
POWER FOR SKANNER	+5VDC at 130mA max. -5VDC at 10mA	RESPONSE TIME	20 microseconds typ.
OUTPUT	Open collector NPN transistor to switch up to 25VDC at 250mA max. Protective diode should be added when driving inductive loads.	TEMPERATURE	Operating: 0° to 50°C Storage: -40° to 70°C
		ENCLOSURE	11 pin plug-in module. .750" pin circle dia.; black molded plastic case. Socket not included.

T44000

Dimensions:



Accessories:

RELAYS

The T44 Series control may be used to drive an external relay or solid state relay. The following are available:

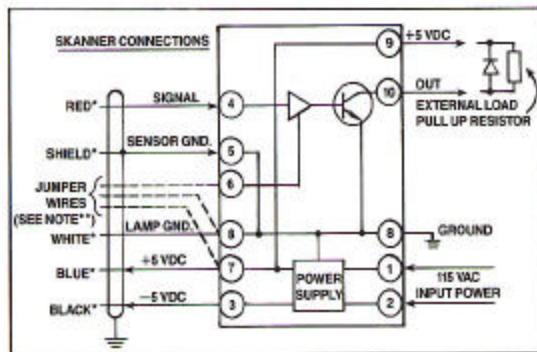
R02003 Solid State Relay rated 2.0 amps at 20-140VAC. Life is 10 million operations at rated load.

R00030 DPDT Relay rated 5 amps at 115VAC or 28 VDC resistive load. Life is 100,000 operations at rated load.

R00031 DPDT Relay rated 10 amps at 115VAC or 28VDC resistive load. Life is 25,000 operations at rated load.

All are 8 pin, plug-in modules. Sockets are not included.

Wiring Diagram:



- * LEADS SHOWN ARE THOSE FROM AN S56 Series High Speed NANO-SKAN[®] with preamp.
- ** JUMPER MUST BE EXTERNALLY WIRED TO PIN 6. WITH PINS 6 AND 7 CONNECTED, CONTROL WILL ENERGIZE WHEN SENSOR IS DARKENED; WITH PINS 6 AND 8 CONNECTED, CONTROL WILL ENERGIZE WHEN SENSOR SEES LIGHT.